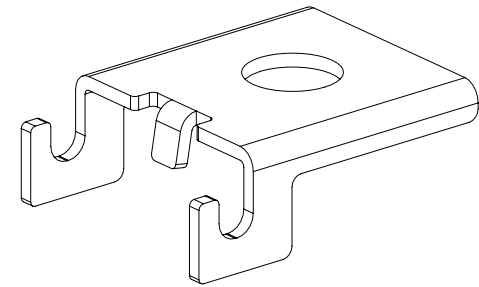
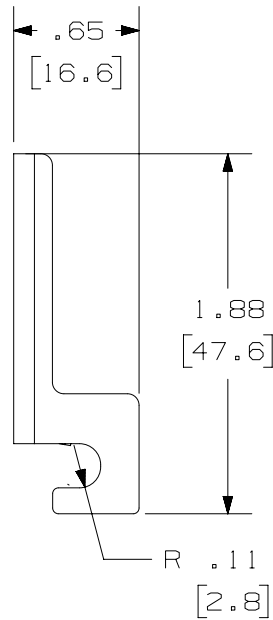
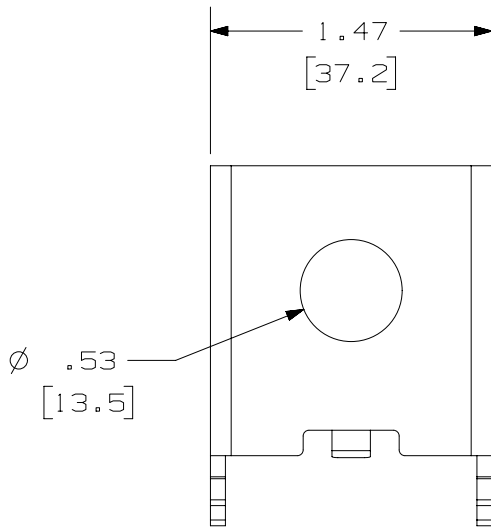
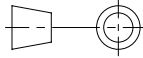


THIS COPY IS PROVIDED ON A RESTRICTED BASIS AND IS NOT TO BE USED IN ANY WAY DETRIMENTAL TO THE INTERESTS OF PANDUIT CORP.

NOTES:

1. VISIT OUR ON-LINE CATALOG AT WWW.PANDUIT.COM FOR A LIST OF CURRENT PARTS APPLICABLE FOR USE WITH THIS PRODUCT.
2. DIMENSIONS IN [] ARE METRIC.
3. ALL MATERIALS AND COMPONENTS USED MEET THE MATERIAL RESTRICTIONS OF RoHS (EUROPEAN DIRECTIVE 2011/65/EU ON THE RESTRICTION OF HAZARDOUS SUBSTANCES) AS PROPOSED BY THE RoHS TECHNICAL ADAPTATION COMMITTEE.
4. USE WASHERS TO BUILD-UP HOLE DIAMETER TO WORK WITH 3/8" AND 1/4" THREADED ROD.
5. PART INCLUDES: 50 TRAPEZE SUPPORT BRACKET



PART NUMBER		PWBTSBEZ		
TITLE				
PANDUIT WIRE BASKET TRAPEZE SUPPORT BRACKET				
CUSTOMER DRAWING				
ITEM REVISION NAME		00510JBH/02		
DATASET FILE NAME		00510JBH_DC/00A		
		THIRD ANGLE PROJECTION		
MATERIAL		C.R.S.		
DRAWING NUMBER		00510JBH-DC		
REV	DATE	BY	CHK	APR
00A	3/1/21	JSP	DWW	ML
INITIAL RELEASE				
DESCRIPTION				
ECN				
DRAWN BY		DATE		CHK
JSP		3/1/21		DWW
SCALE		NONE		
SHEET 1 OF 1				A

A-SIZE CUSTOMER

2

1

2

1