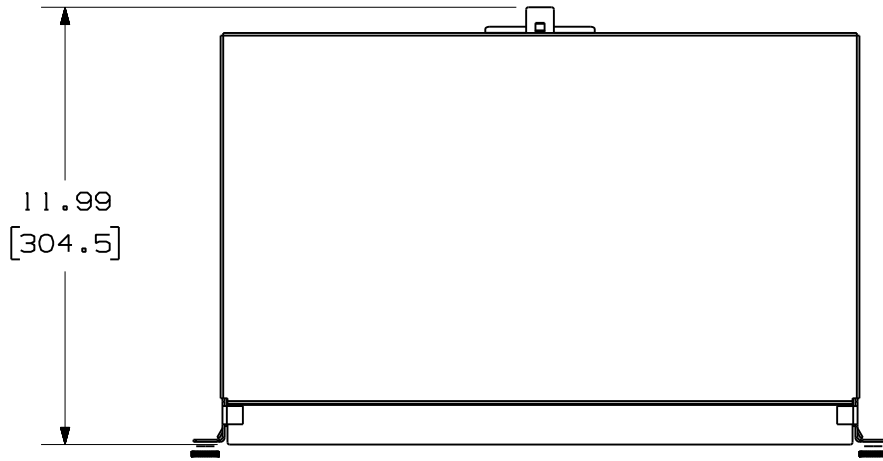


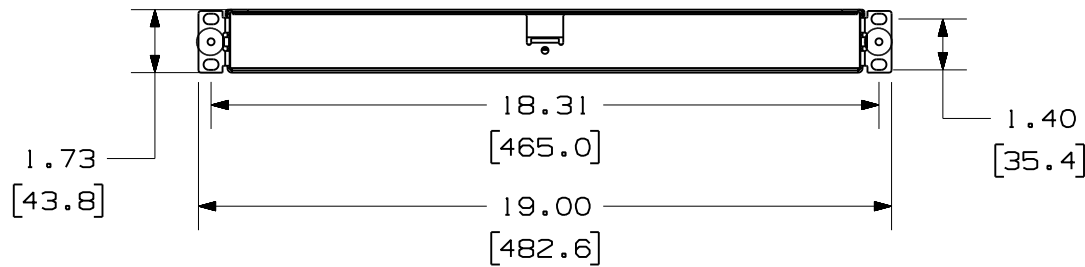
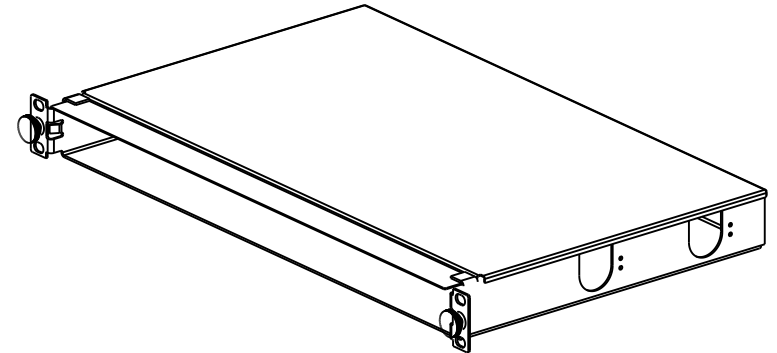
THIS COPY IS PROVIDED ON A RESTRICTED BASIS AND IS NOT TO BE USED IN ANY WAY DETRIMENTAL TO THE INTERESTS OF PANDUIT CORP.

PANDUIT PART NO.	WEIGHT
FMTJ24	6.98 LB/EACH (3168.5 g/EACH)



NOTES:

1. TRAY PROVIDES A MEANS TO MANAGE AND ORGANIZE FIBER OPTIC CABLE WHEN USING PANDUIT MODULAR PATCH PANELS.
2. MATERIAL:  
FIBER TRAY 16 GAUGE (.060) (1.5) GALVANNEAL  
COVER 20 GAUGE (.040) (1.0) GALVANNEAL
3. FIBER OPTIC TRAY MOUNTS ONTO EIA STANDARD 19" RACKS AND OCCUPIES ONE RACK SPACE.
4. DIMENSIONS IN PARENTHESES ARE IN METRIC.



CAD FILENAME/LAYERS D35362CB\_DC\_03A.PRT

**PANDUIT** CORP. TINLEY PARK, ILLINOIS

FIBER OPTIC/MULTIMEDIA TRAY  
(FMTJ24)  
CUSTOMER DRAWING

UNLESS OTHERWISE SPECIFIED,  
DIMENSIONAL TOLERANCES ARE:  
(.X) ± (.XXX) ± .010 (.3)  
(.XX) ± .03 (.8) ANGLES ±

UNLESS OTHERWISE SPECIFIED,  
ALL DIMENSIONS ARE GIVEN  
IN INCHES, THIRD ANGLE PROJECTION.

DRAWN BY RVLE	MAT'L: AS NOTED	SCALE NONE
DATE 9/30/04	CHECKED BY	DRAWING NO. 35362 - 34
		DWG A SIZE

REV	DATE	BY	CHK	DESCRIPTION	ECN	CHK	CUST	SUP
R	9/30/04	RVLE		RELEASED TO PRODUCTION.	35362-34			